

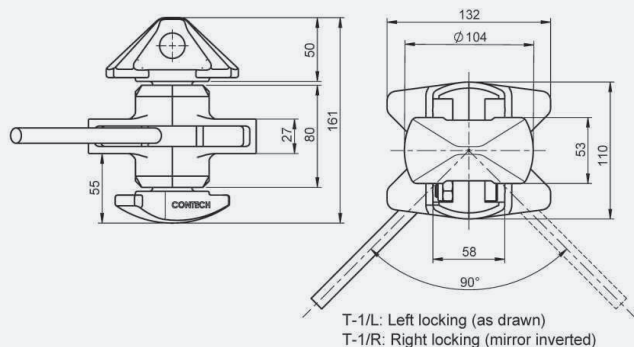
NO WELDING OR PAINTING REQUIRED!

#6200 INSTA TWIST LOCK



#6200 INSTA TWIST LOCK DESCRIPTION:

The INSTA Twist Locks are designed to connect two shipping containers vertically. Each lock is treated with a galvanized finish to help prevent rusting even in the most rigorous environments. Safe working load tension is 250 kilonewtons, equals to 56,000 lbs. (25.5 tons).



SPECS

- 10.25 lbs. / 4.65kg
- Safe working load tension 250 kilonewtons or 56,000 lbs. (25.5 tons)
- Breaking load of 50 tons



FEATURES

- High quality casted steel construction
- Heat treated galvanized finish
- Double-ended design to connect two containers



ACCESSORIES

- N/A

Description: #6200 Twistlock			
k	12/12/17	DDC	Model and bottom cone updated and logo added
j	10/04/15	DDC	3D update
Mod.	Date	Check	Description
Scale: 1:3	Strength (kN):		Weight: 4.65 kg
			Material: Steel
			Finish: Galvanized
		Tension	Shear
	MSL	250	210
Drawing Size: A4	PL	375	263
	BL	500	420



INSTA Container Modifications is a proud charter member of the National Portable Storage Association (NPSA).

WARNING - All products that require installation or fabrication should never be done until you have the product in hand to take exact measurements. While every attempt is made to make sure product specifications are accurate, there is the possibility the products have been updated or a small variance between production made the measurement off. Installation of products may require some fabrication experience, and in no way does warranty cover installation mistakes.