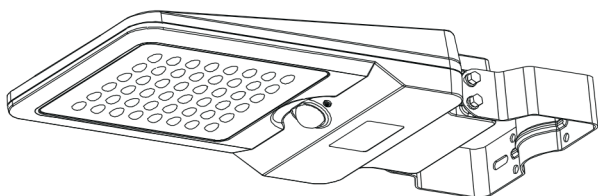




# #4195 INSTA 15W SOLAR LIGHT FIXTURE USER MANUAL



15W 1600LM

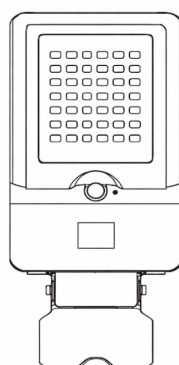


Please follow all instructions to operate.  
Save this manual for future reference.

## Superior Features



## Product Image



1600LM

≈ traditional 150W

## Terms

CCT: Correlated Color Temperature (CCT) measures the color appearance of a white light source in Kelvin (K), indicating whether it appears warm (yellowish), neutral, or cool (bluish).

PIR: (Passive Infrared) detection lighting uses sensors to detect heat radiation from moving people, animals, or objects, automatically activating lights for security and convenience.

## Top Specification

Brightness	1600LM
Output Power	15W
≈ Traditional Power	150W
LEDs	SMD2835 × 40PCS
Li-ion Battery Pack	18650 7.4V 5400mAh 39.96Wh
Mono Solar Panel	12.5W 10V
Digital PIR Sensor	120° / 3-8 Meters
Lighting Area	220m <sup>2</sup>
Lamp Size	232 × 492.5 × 58mm
Installation Height	3-5M
Installation Distance	8-15M
Beam Angle	140° × 70°
CCT Range	6100K - 6600K
Work Modes	Mode A: Sensor Mode Mode B: Keep Lighting Mode
Charging Time	5 Hours Strong Sunshine to Fully Charge
Lighting Time	Mode A: 60H Max. Mode B: 45H
IP Rating	IP65, Dustproof and Waterproof
Adjustable Angle	Upward 20° Adjustable; Downward 10° Adjustable
Housing Material	ABS + PC + Metal, Anti-UV
Packing Content	Light Fixture, Allen Wrench, 2 U-Bolts, 4 Nuts, Cradle-Bracket, 2 Anchor Bolts, 2 Screws, User Manual
Warranty	2 Year Warranty (Battery 1 Year Warranty)

## 2 Optional Work Modes & 3 CCT



On / Off  
Select Work Mode  
Switch CCT

### Mode A: Sensor Mode

Press the button 1st time, the lamp turns on to Mode A: Lamp automatically lights up at night, and it will turn to full brightness when motion is detected in the range < 8mtrs, then dim to 5% brightness after 20 seconds of no motion.



### Mode B: Keep Lighting Mode

Press the button 2nd time, the lamp turns to Mode B: Lamp automatically lights up at night and keeps 60% brightness for 5 hours, then turns to Mode A.



### Off:

Press the button 3rd time, the lamp turns off.





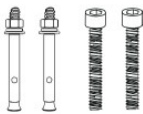

### Switch CCT

\* In Mode A or Mode B, long press the button for 3 seconds to switch lighting color.  
\* The CCT Switch includes a memory function.

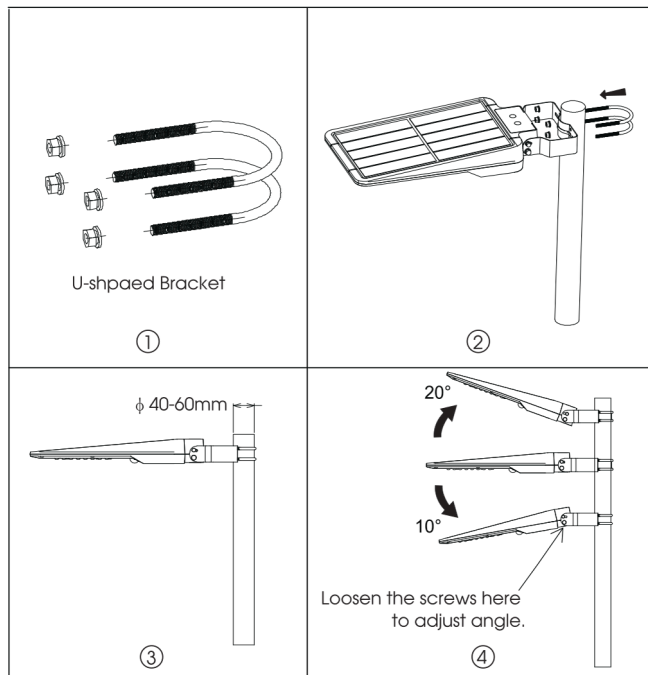
## Cautions

1. This is a solar-powered fixture. Install in a location that receives direct sunlight for optimal charging performance.
2. The light charges during daylight hours and automatically illuminates at dusk.
3. The unit will continue to charge during the day even when switched off.
4. Lighting duration depends on the amount of sunlight received and the selected operating mode.
5. The fixture is equipped with built-in overcharge and over-discharge protection to ensure safe and reliable operation.
6. The unit contains a replaceable internal battery.
7. Do not disassemble the fixture. Service should only be performed by qualified personnel.
8. Do not dispose of batteries into household waste. Improper disposal may result in fire or explosion. Follow local regulations for battery recycling and disposal.

## Package Content

Light Fixture	Allen Wrench	2 U-Bolts & Hardware
		
Cradle-Bracket	2 Anchor Bolts, 2 Screws	User Manual
		

### Installation B: Straight Pole Installation



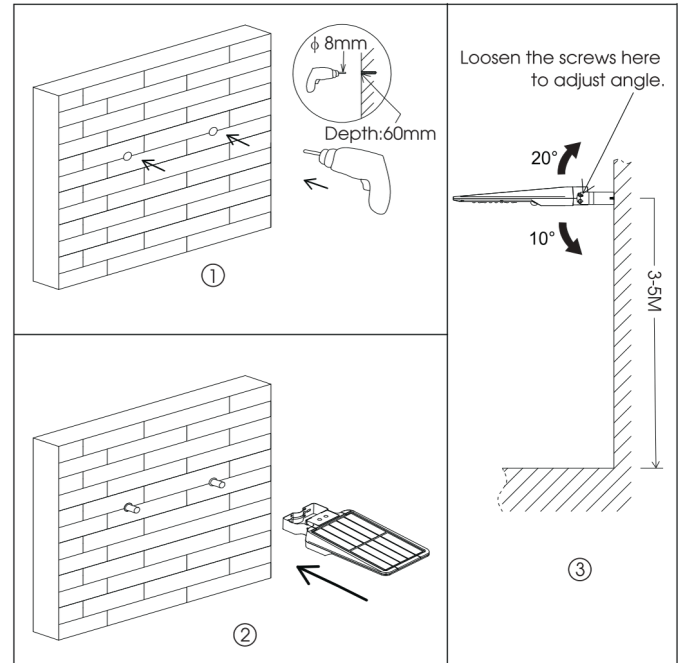
Lay out the light fixture, mounting hardware and required tools.

1. Remove nuts and washers from U-bolts.
2. Use the two U-bolts to attach the light fixture to the pole.
3. Tighten securely. (Caution: Do not overtighten.)
4. Loosen the two angle-adjustment screws on each side of light fixture, adjust light fixture angle, retighten screws.

Note that this installation applies to poles with a diameter of 40-60mm (1 1/2"-2 3/8").

## 3 Different Installations

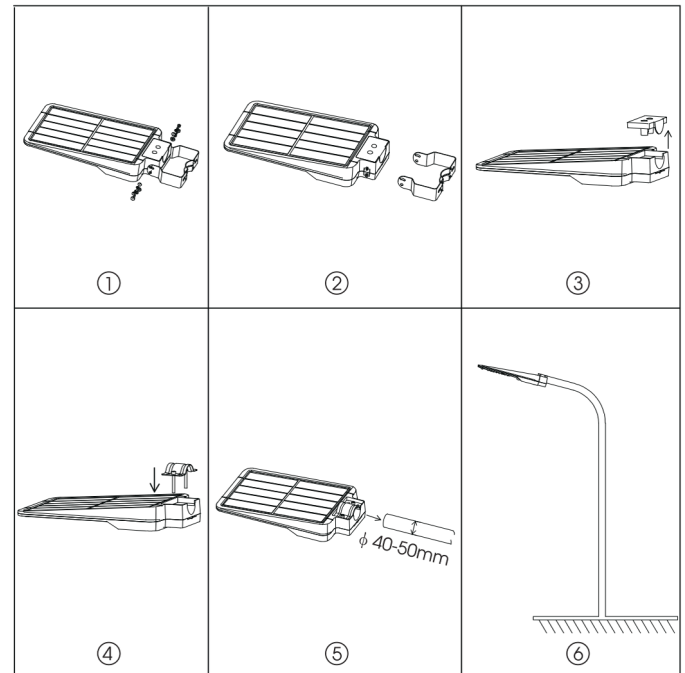
### Installation A: Wall Mount Installation



Lay out the light fixture, mounting hardware, and required tools.

1. Hold the mounting bracket in the desired position and use it as a template to mark the two mounting hole locations on the wall. Drill two 8 mm (5/16") diameter holes to a depth of 60 mm (2-3/8") into the brick surface.
2. Insert the anchor bolts into the drilled holes and gently tap them into place using a hammer. Position the mounting bracket over the installed anchors. Install the provided washers and nuts onto the anchors and tighten securely.
3. Loosen the two angle-adjustment screws on each side of light fixture, adjust light fixture angle, retighten screws.

### Installation C: Curved Pole Installation



Lay out the light fixture, mounting hardware and required tools.

1. Remove two screws on each side of light fixture.
2. Remove metal bracket from light fixture.
3. Remove cover from light fixture body.
4. Install the cradle-shaped metal bracket loosely.
5. Position fixture onto end of curved lamp pole.
6. Tighten cradle bracket securely. (Do not overtighten.)

Note that this installation applies to poles with a diameter of 40-50mm (1 1/2"-2").