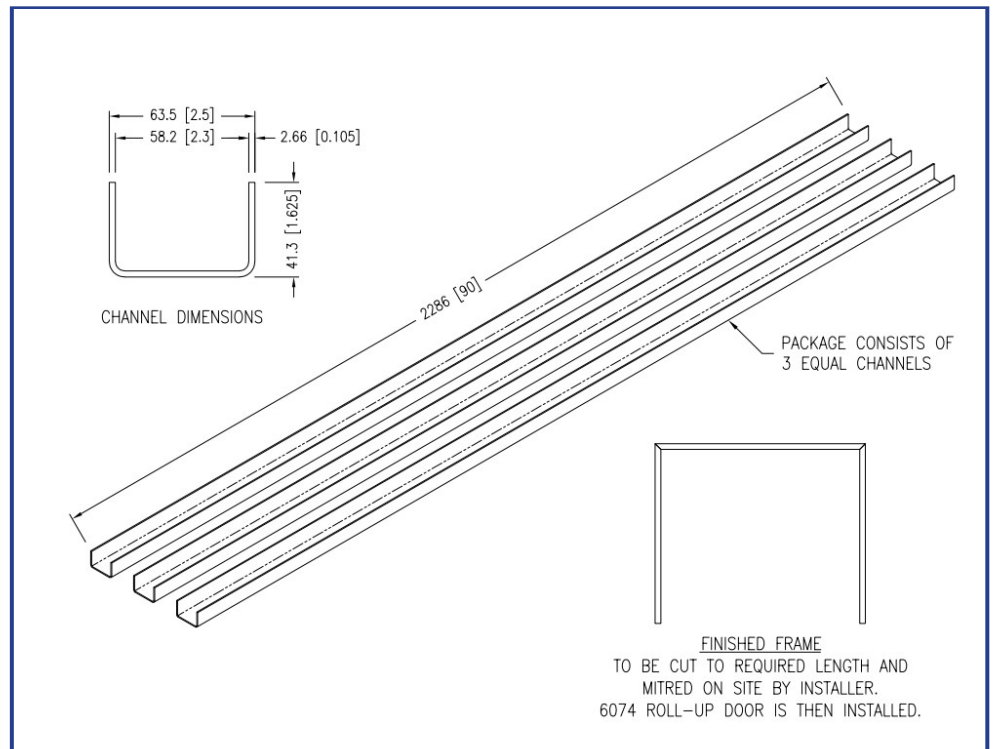


NO WELDING OR PAINTING REQUIRED!

## #6075 INSTA WELD-IN STEEL FRAME



### #6075 INSTA WELD-IN STEEL FRAME:

This steel frame is designed for use with the #6074 Roll-Up Door. It consists of three equal 90" long channels, each with square-cut ends. The intent is for the installer to cut them to length as required and mitre the top corners to create a clean and suitable rough opening for the #6074 Roll-Up Door to then be installed inside it. This frame can be used on a standard or high-cube container.



### SPECS

- Material: 12 gauge steel
- Size: 41mm x 64mm x 2286mm long  
○ (1 5/8" x 2 1/2" x 90" long)
- Weight each pc: 6.6 kgs (14.6 lbs)



### RELATED PRODUCTS

- #6074 INSTA Steel Slat Roll-Up Door



INSTA Container Modifications is a proud charter member of the National Portable Storage Association (NPSA).

**WARNING** - All products that require installation or fabrication should never be done until you have the product in hand to take exact measurements. While every attempt is made to make sure product specifications are accurate, there is the possibility the products have been updated or a small variance between production made the measurement off. Installation of products may require some fabrication experience, and in no way does warranty cover installation mistakes.